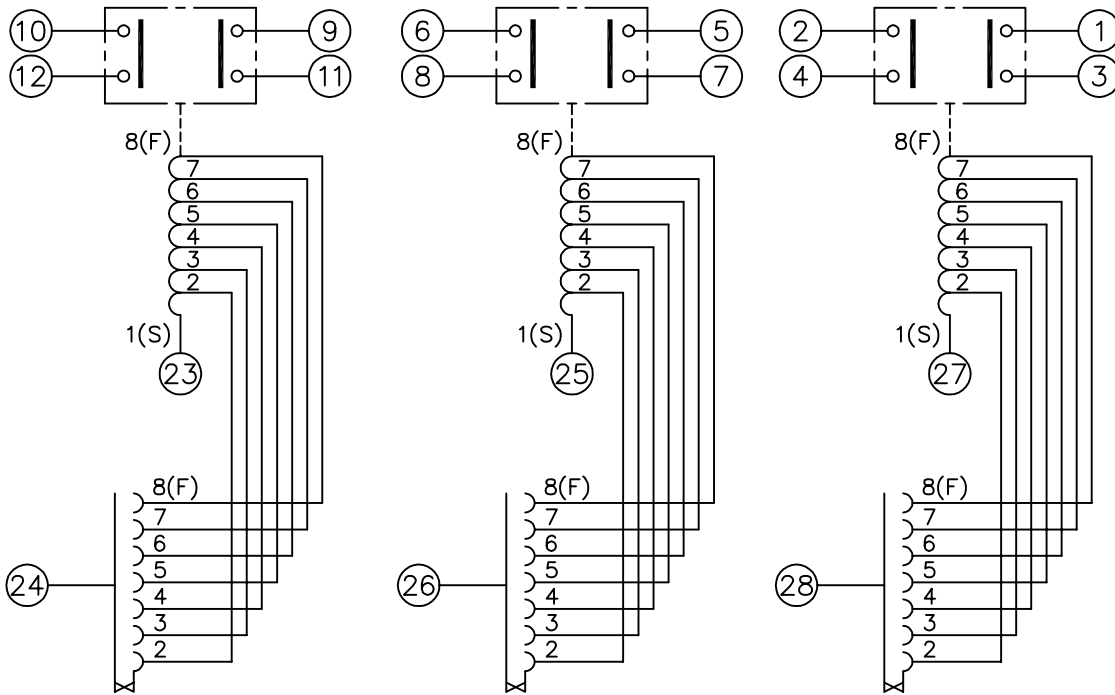


TOP  
LOOKING ON FRONT OF RELAY



KEY

- ○ make contact
- □ break contact
- ○ c/o contact
- ② ext. conn
- plug bridge - shorting
- ⊖ metering point
- 5Kv barrier
- □ test socket - shorting
- ⊖ plug & socket

NOTE:

1. COIL AND PLUG BRIDGE WIRE IDENTITIES:  
 1(S) = COIL START.  
 8(F) = COIL FINISH.  
 2 - 7 = COIL WINDING TAPS, 2 = 1st TAP, 3 = 2nd TAP ETC.

FOR INFORMATION ONLY  
UNCONTROLLED COPY  
NOT SUBJECT TO UPDATE

FRAME REFERENCE E6FS03

FRAME TERMINAL BLOCK ASSY: -

ASSEMBLY INSTRUCTIONS: -  
 TYPICAL ASSEMBLY DRAWING 2995G10032.  
 AT INDICATED POSITIONS FIT AS FOLLOWS,  
 T - FIT TRIP ISOLATION CONTACT 2995B10053.  
 S - FIT STANDARD CONTACT 2995B10054.  
 SECURE CONTACTS USING FIXING SCREW  
 2109F99009.  
 POSITIONS SHOWN BLANK ARE UNUSED.

2	T	T	1
4	T	T	3
6	T	T	5
8	T	T	7
10	T	T	9
12	T	T	11
14			13
16			15
18			17
20			19
22			21
24	S	S	23
26	S	S	25
28	S	S	27

VIEW FROM NUMBERED  
SIDE OF BLOCK

OUTER TERMINAL BLOCK ASSY: -

ASSEMBLY INSTRUCTIONS: -

TYPICAL ASSEMBLY DRAWING 2995G10029.  
 AT INDICATED POSITIONS FIT AS FOLLOWS,  
 S - FIT STANDARD CONTACT 2995B10051  
 HC - FIT 'HEAVY CURRENT' KIT 2995G10030.  
 WHERE ⊖ ○ IS SHOWN FIT CT SHORTING  
 KIT 2995G10031  
 POSITIONS SHOWN BLANK ARE UNUSED  
 ALL POSITIONS FIT SCREW 2106F12506

2	S	S	1
4	S	S	3
6	S	S	5
8	S	S	7
10	S	S	9
12	S	S	11
14			13
16			15
18			17
20			19
22			21
24	⊖ ○		23
26	⊖ ○		25
28	⊖ ○		27

VIEW FROM INSIDE  
FACE

Copyright © 2000 VA TECH Reyrolle Ltd. Hebburn

			Title: T.B. AND WIRING DIAGRAM FOR B69 (3P) RELAY IN EPSILON E6 CASE.		First used on:	
					Similar Articles:	
					Supersedes:	
			Original Scale:		Drg.No.	
3 ROW 05/08/05 MN320/2725 2 10/04/00 MN995/09 ISSUE DATE MOD.No.			VA TECH Reyrolle <b>AUTOMATION, CONTROL &amp; PROTECTION</b>		2320W50009	
DRAWN: T.CARR		CHECKED:		APPROVED: R.D.WATSON		DATE: 19/07/02
				IE:		OPS: